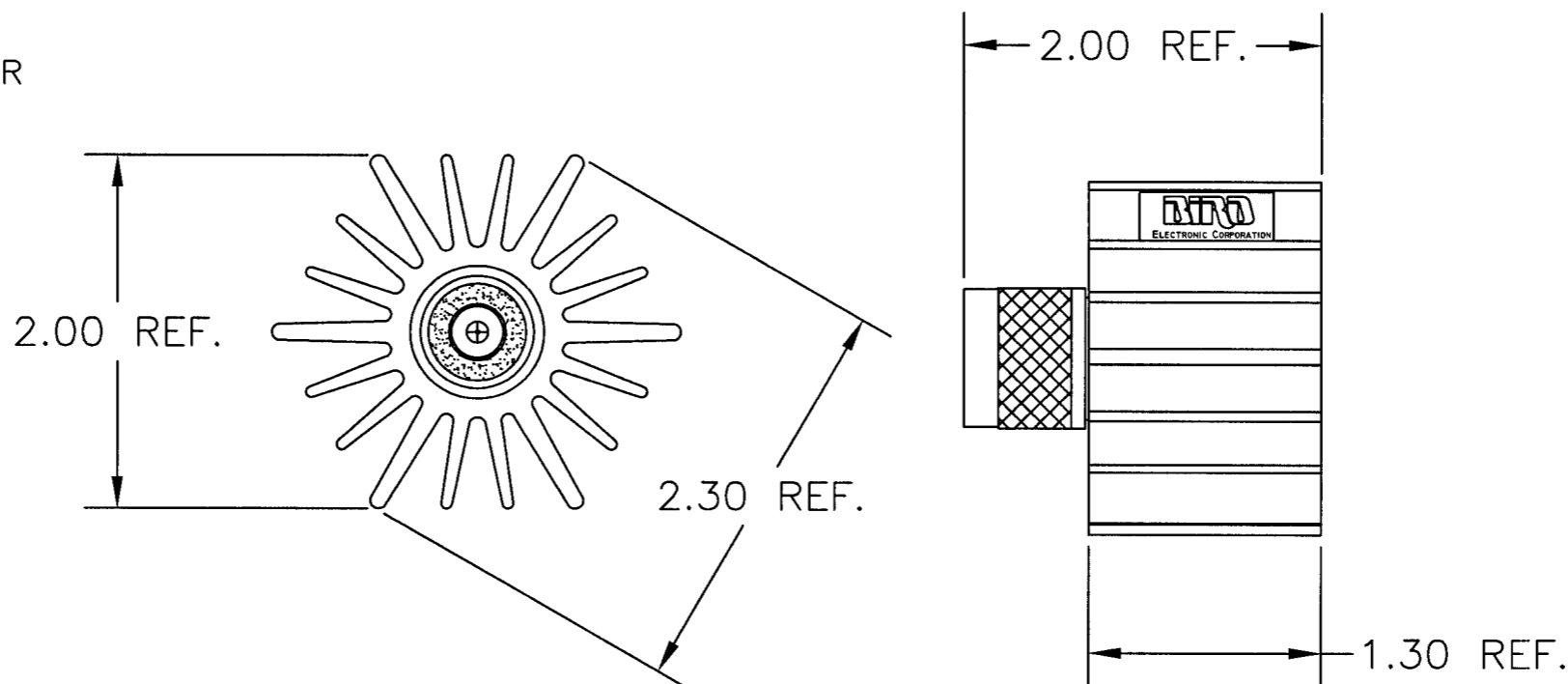


REV B
SHEET 1
10-T-MN
DWG NO.

SPECIFICATIONS:

IMPEDANCE: 50 OHMS, NOMINAL
 POWER RATING: 10 WATTS MAX.
 FREQUENCY RANGE AND VSWR:
 DC TO 2.4 GHz AT 1.10:1 MAX.
 2.4 GHz TO 6 GHz AT 1.15:1 MAX.
 6 GHz TO 10 GHz AT 1.25:1 MAX.
 OPERATING TEMPERATURE: -40°C TO +40°C
 OPERATING POSITION: ANY
 CONNECTOR: N-TYPE MALE
 FINISH: BLACK ANODIZED COOLING FIN
 AND TRI-ALLOY PLATED CONNECTOR
 NOMINAL SIZE: 2.0"L x 2.3" DIA.
 WEIGHT: APPROX. 5.9 OZ. (167 g)

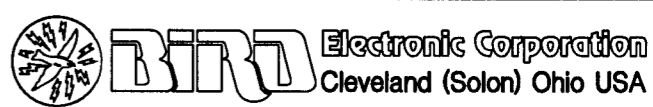
REVISIONS				
ZONE	REV	DESCRIPTION	DATE	APPROVED
	A	ECN #0185	12-22-97	
	B	ECN #0278	8-8-01	<i>MRL</i>



DIMENSIONS HEREON ARE FOR CUSTOMER CONVENIENCE AND REFERENCE ONLY. TOLERANCE TO BE APPLIED ONLY WHERE INDIVIDUALLY STATED ON THE RESPECTIVE DIMENSION. -DO NOT SCALE DRAWING-

UNLESS OTHERWISE SPECIFIED DIMENSIONS ARE IN INCHES TOLERANCES ARE:		MILLIMETERS	
FRACTIONS	DECIMALS	ANGLES	
± 1/64	.XX = ±.010 .XXX = ±.005	± 30'	.X = ±.4 .XX = ±.12
DO NOT SCALE DRAWING			
MATERIAL		APPROVALS	
FINISH		DATE	
		<i>MRL</i>	
		11/5/02	
		AUTOCAD	

THIS DRAWING IS THE PROPERTY OF THE BIRD ELECTRONIC CORPORATION. THE DESIGNS AND SPECIFICATIONS DISCLOSED HEREON ARE PROPRIETARY AND SHALL NOT BE REPRODUCED, NOR COPIED, NOR USED AS THE BASIS FOR THE MANUFACTURE OR SALE OF APPARATUS OR DEVICES WITHOUT THEIR EXPRESS WRITTEN CONSENT.			
APPROVALS		DATE	
DRAWN PMD		12-22-97	
CHECKED			
APPROVED <i>MRL</i>		11/5/02	
		AUTOCAD	

QTY. REQ.	ITEM NO.	PART NO.	DESCRIPTION
PARTS LIST			
			
TERMINATION, N-TYPE MALE, 10W			
SIZE	FSCM NO.	DWG. NO.	REV
B	70998	10-T-MN	B
SCALE	COMM CODE	SHEET	
1:1	LD1	1 OF 1	